

ML986_CL Bench Seat

Material Specifications

- Compact Laminate Seat Top and Plinth Boards
- Aluminium Seat Bracket and Legs
- ABS Plastic Covers (Legs)

Set Includes

- 1 x ML986 Seat Top with ML_BSB380 Brackets attached
- 2 x Compact Laminate Plinth Boards
- 4 x ML_BSB380 Seat Legs
- Bench seat assembly screw fixings x 8 in total (wall fixings are not included)

Dimensions

- 900mmW x 410mmD x 450mmH (Adjustable)

Mounting

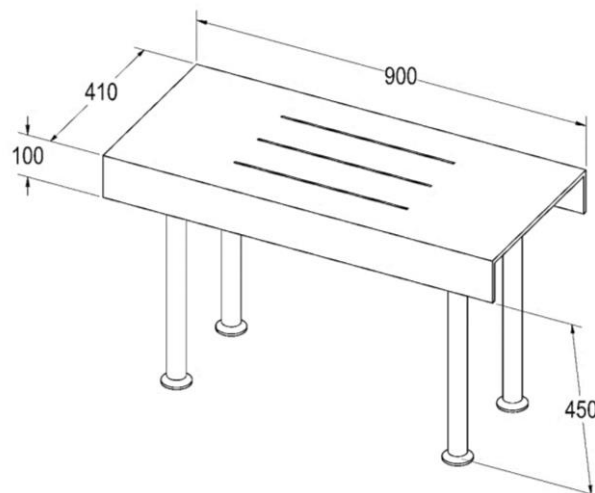
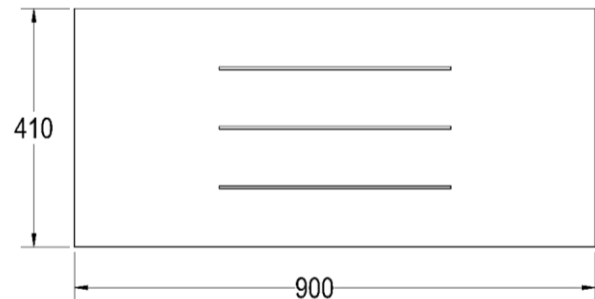
- Concealed Fix to wall or solid surface

Installation Guidelines

- *May be subject to Australian Building Code Regulations for height and location fixing and may be subject to placement as per architectural drawings. In all cases, this is the responsibility of the installer.*
- *Fixings and anchors are not included with the units and are the responsibility of the installer to appropriately fix the unit to the wall. The supporting wall must be adequately reinforced to carry the weight load.*

Rear Mounted Plinth

- Consider the required Bench Seat top height from FFL
- Using this measurement, locate wall studs behind the plaster/tiles and mark position.
- Using stud position, attach the first Compact Laminate Plinth Board to marked stud positions to ensure stability and strength of the Metlam Australia Bench Seat once assembled. Ensure the appropriate wall fixings are used as per installation guidelines above.
- Attach the Aluminium Bench Seat Legs to the Bench Seat Brackets and adjust to the correct height.
- Attach the Bench Seat to the wall mounted Plinth Board using the screw fixings provided
- Complete a final height adjustment for each Aluminium Bench Seat Leg allowing for floor slope. Then lock the adjustment nuts off on the leg threads.
- Position ABS Plastic Cover over the top of the Aluminium Bench Seat Leg to conceal Aluminium Bench Seat Leg adjustment area.



The photographs and line drawings of the products presented above are representational only. Metlam Australia Pty Ltd reserves the right to, and from time to time, make changes and improvements in design and dimensions.

- Attach the frontal Plinth Board using the remaining screw fixings provided to the front of the Bench Seat. This will conceal the Aluminium Bench Seat Leg Bracket face and provide a Compact Laminate frontal Plinth view which will complete the ML986_CL Bench Seat assembly

Features

Compact Laminate Seat Top:

- Water resistant
- Low maintenance.
- Resistant to fading
- impact resistant

Safety Warning

- Ensure that there is proper structure support within the wall. Wall Mounted Bench Seats are no stronger than the anchors and walls to which they are attached. Wall Mounted Bench Seats must be firmly secured in order to support the loads for which they are intended.

The technical recommendations contained in this document are necessarily of a general nature and should not be relied on for specific applications without first securing competent advice. Whilst Metlam Australia Pty Ltd has taken all reasonable steps to ensure the information contained herein is accurate and current, it does not warrant the accuracy or completeness of the information and does not accept liability for errors or omissions. Any Commercial product should only be installed by a competent tradesperson and serviced/maintained by knowledgeable janitorial staff or competent people. Metlam Australia accepts no responsibility for any damage to product, walls or fixtures due to incorrect installation or maintenance of any of their products.

The photographs and line drawings of the products presented above are representational only.
Metlam Australia Pty Ltd reserves the right to, and from time to time, make changes and improvements in design and dimensions.